

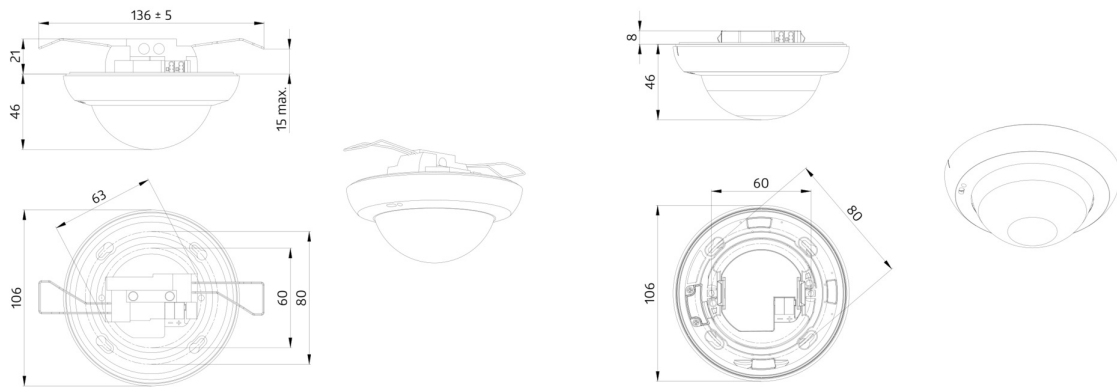
PD4N-KNXs-DX V.7.0

KNX Deluxe

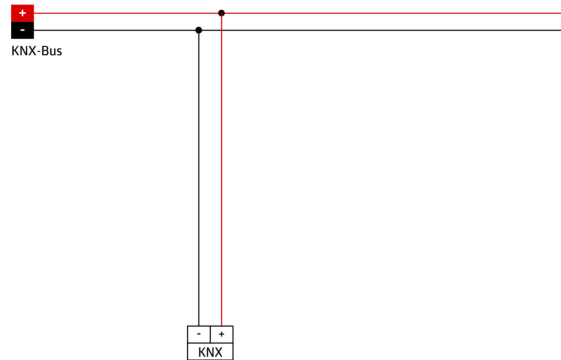
Specification

SUPPLY VOLTAGE	24 V DC from KNX-BUS network
POWER CONSUMPTION	12 mA
MATERIAL ENCLOSURE	Polycarbonate, UV-resistant
INGRESS PROTECTION	IP20
SETTINGS	ETS 5 Software
LIGHT VALUES	5 - 2000 Lux
AREA OF COVERAGE	circular 360°
RANGE OF COVERAGE	Ø H 2.50m / T = 18°C: seated 6.40m tangential 24m radial 8m
MOUNTING HEIGHT MIN./MAX./RECOMMENDED	2m/10m/2.5m
RECOMMENDED HEIGHT FOR MOUNTING	2,5m
LIGHT MEASUREMENT	Mixed light, daylight + artificial light

Measurements



Wiring



Variants

E-NUMBER	ARTICLE NO.	DESCRIPTION	MOUNTING	INGRESS PROTECTION	COLOUR	PCS/PACK	EPD / PEP
1740158	93516	PD4N-KNXs-DX-TAK	TAK False ceiling	IP20	White	1	Yes
1740170	93517	PD4N-KNXs-DX-INF	INF Flush	IP20	White	1	
1739250	92123	IR-PD-KNX	-	-	-	1	
1301369	93067	BLE-IR-ADAPTER	-	-	-	1	
1313683	92199	Wire basket BSK (Ø200 x H90 mm)	-	-	White	1	